

SP45Y

Lifts 45-ton loads

- ▶ Engine model: Cummins NT855-C280S10
- ▶ Rated power: 169 kW
- ▶ Operating weight: 34.0 t

Product features

Delivering maximum power, lift and value plus a tighter turning radius, the SP45Y features a Cummins engine, load feedback, overload prevention, anti-rollover protection and precise controls. A solid workhorse for mid-size jobs.



SHANTUI

VALUE THAT WORKS

Shantui Construction Machinery Co., Ltd.

ADDRESS:
No. 58, G327 Highway
Jining City, Shandong, CHINA

TEL: +86-537-2909369
FAX: +86-537-2311219
EMAIL: trade@shantui.com

SP45Y







Technical specifications:

Overall length: 4750 mm

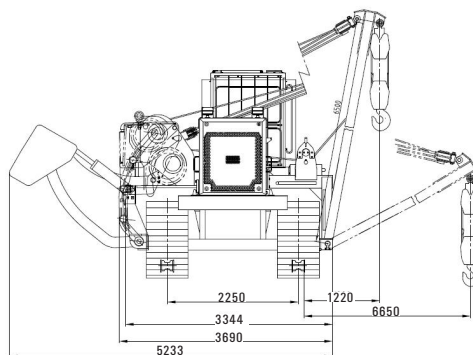
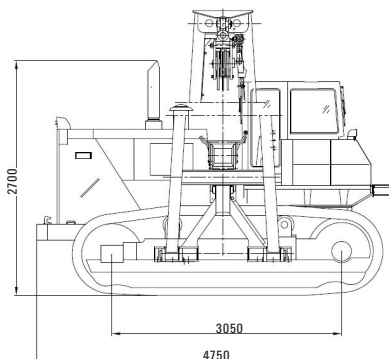
Overall width: 3690 mm

Overall height: 2700 mm

SP45Y

	WEIGHT AND DIMENSIONS	Operating weight	34000 kg
		Maximum lifting weight	45000 kg
		Track shoe width	610/660mm
		Minimum turning radius	3200 mm
		Ground length	3050 mm
		Ground clearance	400 mm
	SERVICE REFILL CAPACITIES	Fuel tank capacity	440 L
		Hydraulic tank capacity	180 L
		Engine oil	45 L
		Cooling system	79 L
	ENGINE	Rated power	169 kW
		Model	Cummins NT855-C280S10
		Piston displacement	14 L
		Stroke-bore × stroke	6-139.7 × 152.4 mm
		Rated revolution	2000 rpm
	TRANSMISSION SYSTEM	Type	Hydraulic transmission
		Hydraulic torque converter	3-element, 1 stage, 1 phase
		Transmission	Planetary gear, forced lubrication
		Number of track rollers (each side)	7
		Number of carriers (each side)	2
		Travel speed 1st (forward/reverse)	3.8/4.9 km/h
Travel speed 2nd (forward/reverse)	6.8/8.5 km/h		
	WORKING PUMP	Type	Duplex pump
		Displacement of large pump	116 ml/r
		Displacement of small pump	10 ml/r
		Rated working pressure	18 MPa
	PIPELAYING EQUIPMENT	Boom Length	6500 mm(7500 mm)
		Max. lifting height	5250 mm
		Boom swing amplitude	1220~6650 mm
		Boom Line speed	0~6 m/min
		Gradeability	20°
		Ground press	0.086 MPa

OVERALL DIMENSIONS



▶ THE SPECIFICATIONS ARE SUBJECT TO CHANGE WITHOUT NOTICE. THE PICTURES MAY INCLUDE OPTIONS. THE ACTUAL COLOR & APPEARANCE OF THE PRODUCT MAY DIFFER FROM WHAT IS SHOWN.

WWW.SHANTUI.COM